

INSTALLATION INSTRUCTIONS

37064 (1 - 2 - 3 - 4) SIDE BAR

TOYOTA FJ CRUISER 06 - 07

Parts List:

QTY

P01 (2) Side bar set (Driver & Passenger)

P02 (2) Main mounting bracket set

(1) Hardware kit including:

T01 (8) 3/8 x 1" hex head bolt

T02 (16) 3/8" lock washer

T03 (16) 3/8" flat washer

T04 (8) M8 1.25 x 30mm hex head bolt

Tools required:

13mm Socket

9/16" Socket

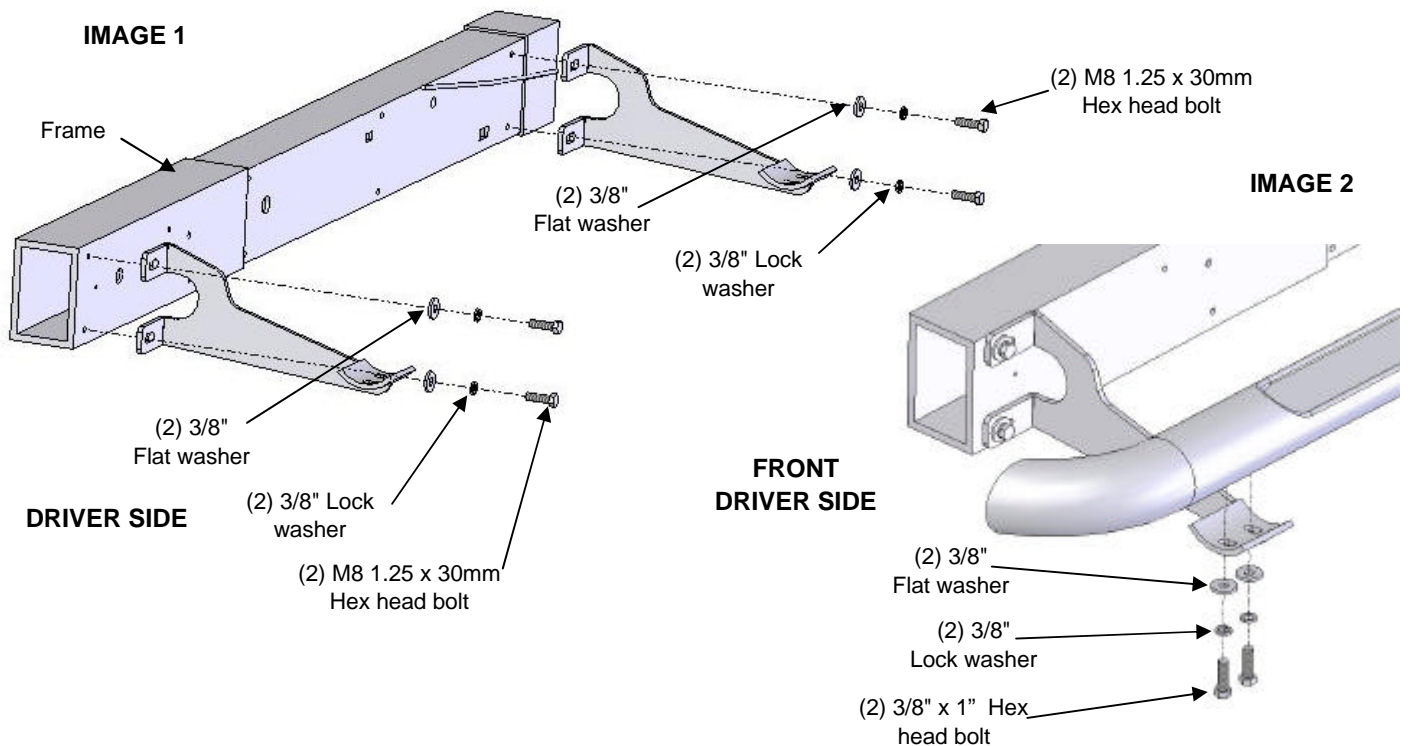
Ratchet

Instructions:

Approximated installation time: 35 min.

1. Read and understand instructions completely before beginning installation. Also be sure all the mounting brackets & hardware are present and identified BEFORE you begin the installation.
2. To install the brackets locate 4 sets of threaded holes along the side of the frame. From the front of the vehicle, the first and last set of holes are used.
3. Attach brackets to frame using: (2) M8 1.25x30mm hex head bolt, (2) 3/8" flat and lock washer. Leave loose. **Note: Avoid any contact between brake lines and brackets.** See image 1.
4. Place the sidebar up to the mounting brackets and bolt to the mounting brackets using (2) 3/8" x 1" hex head bolt, (2) 3/8" flat and lock washer. Leave loose. See image 2.
6. Make any final adjustments to the alignment of the sidebar and tighten all bolts. Repeat for the opposite side.
7. You may need to periodically re-tighten the bolts.

Assembly Diagram:



Cleaning and care instructions:

Protect the finish with a non-abrasive automotive wax, (e.g. Pure Carnauba) on a regular basis. The use of any soap, polish, or wax that contains an abrasive is detrimental to the finish, as the compounds scratch the finish and cause corrosion.

Diseño:

Calidad: